



DEPARTMENT OF REGULATORY AND ECONOMIC RESOURCES (RER)  
BOARD AND CODE ADMINISTRATION DIVISION

**NOTICE OF ACCEPTANCE (NOA)**

MIAMI-DADE COUNTY  
PRODUCT CONTROL SECTION

11805 SW 26 Street, Room 208

Miami, Florida 33175-2474

T (786) 315-2590 F (786) 315-2599

[www.miamidade.gov/economy](http://www.miamidade.gov/economy)

**Total Wall, Inc.**  
**390 Viking Circle (PO Box 366)**  
**Rio, WI 53960**

**SCOPE:**

This NOA is being issued under the applicable rules and regulations governing the use of construction materials. The documentation submitted has been reviewed and accepted by Miami-Dade County RER-Product Control Section to be used in Miami Dade County and other areas where allowed by the Authority Having Jurisdiction (AHJ).

This NOA shall not be valid after the expiration date stated below. The Miami-Dade County Product Control Section (In Miami Dade County) and/or the AHJ (in areas other than Miami Dade County) reserve the right to have this product or material tested for quality assurance purposes. If this product or material fails to perform in the accepted manner, the manufacturer will incur the expense of such testing and the AHJ may immediately revoke, modify, or suspend the use of such product or material within their jurisdiction. RER reserves the right to revoke this acceptance, if it is determined by Miami-Dade County Product Control Section that this product or material fails to meet the requirements of the applicable building code.

This product is approved as described herein, and has been designed to comply with the Florida Building Code, including the High Velocity Hurricane Zone.

**DESCRIPTION: Total Wrap Fastened Moisture Drainable EIF System**

**APPROVAL DOCUMENT:** Drawing No. **H591-0901-11-FA**, titled "Fastened Moisture Drainable System", sheets 1 through 3 of 3, dated 09/07/2011, prepared by Wolters Engineering, Inc, signed and sealed by Scott Wolters, P.E., bearing the Miami-Dade County Product Control approval stamp with the Notice of Acceptance number and approval date by the Miami-Dade County Product Control Section.

**MISSILE IMPACT RATING: Large and Small Missile Impact Resistant**

**LABELING:** Each unit shall bear a permanent label with the manufacturer's name or logo, city, state and following statement: "Miami-Dade County Product Control Approved", unless otherwise noted herein. Each container (bucket or drum) needs to be labeled. Unit is further defined as each roll of reinforcing mesh.

**RENEWAL** of this NOA shall be considered after a renewal application has been filed and there has been no change in the applicable building code negatively affecting the performance of this product.

**TERMINATION** of this NOA will occur after the expiration date or if there has been a revision or change in the materials, use, and/or manufacture of the product or process. Misuse of this NOA as an endorsement of any product, for sales, advertising or any other purposes shall automatically terminate this NOA. Failure to comply with any section of this NOA shall be cause for termination and removal of NOA.

**ADVERTISEMENT:** The NOA number preceded by the words Miami-Dade County, Florida, and followed by the expiration date may be displayed in advertising literature. If any portion of the NOA is displayed, then it shall be done in its entirety.

**INSPECTION:** A copy of this entire NOA shall be provided to the user by the manufacturer or its distributors and shall be available for inspection at the job site at the request of the Building Official. This NOA consists of this page 1 and evidence page E-1, as well as approval document mentioned above. The submitted documentation was reviewed by **Carlos M. Utrera, P.E.**



*Utrera*  
12/17/2012

NOA No. 12-1019.25

Expiration Date: December 27, 2017

Approval Date: December 27, 2012

**NOTICE OF ACCEPTANCE: EVIDENCE SUBMITTED**

**A. DRAWINGS**

1. Drawing No. **H591-0901-11-FA**, titled "Fastened Moisture Drainable System", sheets 1 through 3 of 3, dated 09/07/2011, prepared by Wolters Engineering, Inc, signed and sealed by Scott Wolters, P.E.

**B. TESTS**

1. Test reports on
  - 1) Air Infiltration Test, per FBC, TAS 202-94
  - 2) Uniform Static Air Pressure Test, Loading per FBC TAS 202-94
  - 3) Water Resistance Test, per FBC, TAS 202-94
  - 4) Large Missile Impact Test per FBC, TAS 201-94
  - 5) Cyclic Wind Pressure Loading per FBC, TAS 203-94along with marked-up drawings and installation diagram of EIF Adhered System, prepared by Hurricane Test Laboratory, LLC, Test Report No. **HTL # G591-1204-10**, dated 09/25/2012, signed and Vinu J. Abraham, P.E.

**C. CALCULATIONS**

1. Anchorage verification prepared by Wolters Engineering, Inc, dated 01/12/2012, signed and sealed by Scott Wolters, P.E.

**D. QUALITY ASSURANCE**

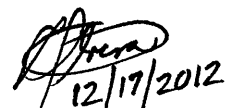
1. Miami-Dade Department of Regulatory and Economic Resources (RER)

**E. MATERIAL CERTIFICATIONS**

1. Notice of Acceptance No. **11-0926.07** issued to Dyplast Products, LLC, for their "EPS Block Type Insulation", approve on 11/10/2011, expiring on 01/11/2017.

**F. STATEMENTS**

1. Statement letter of code conformance to 2010 FBC issued by Wolters Engineering, Inc, dated 01/12/2012, signed and sealed by Scott Wolters, P.E.
2. No financial interest letter issued by Wolters Engineering, Inc, dated 01/12/2012, signed and sealed by Scott Wolters, P.E.



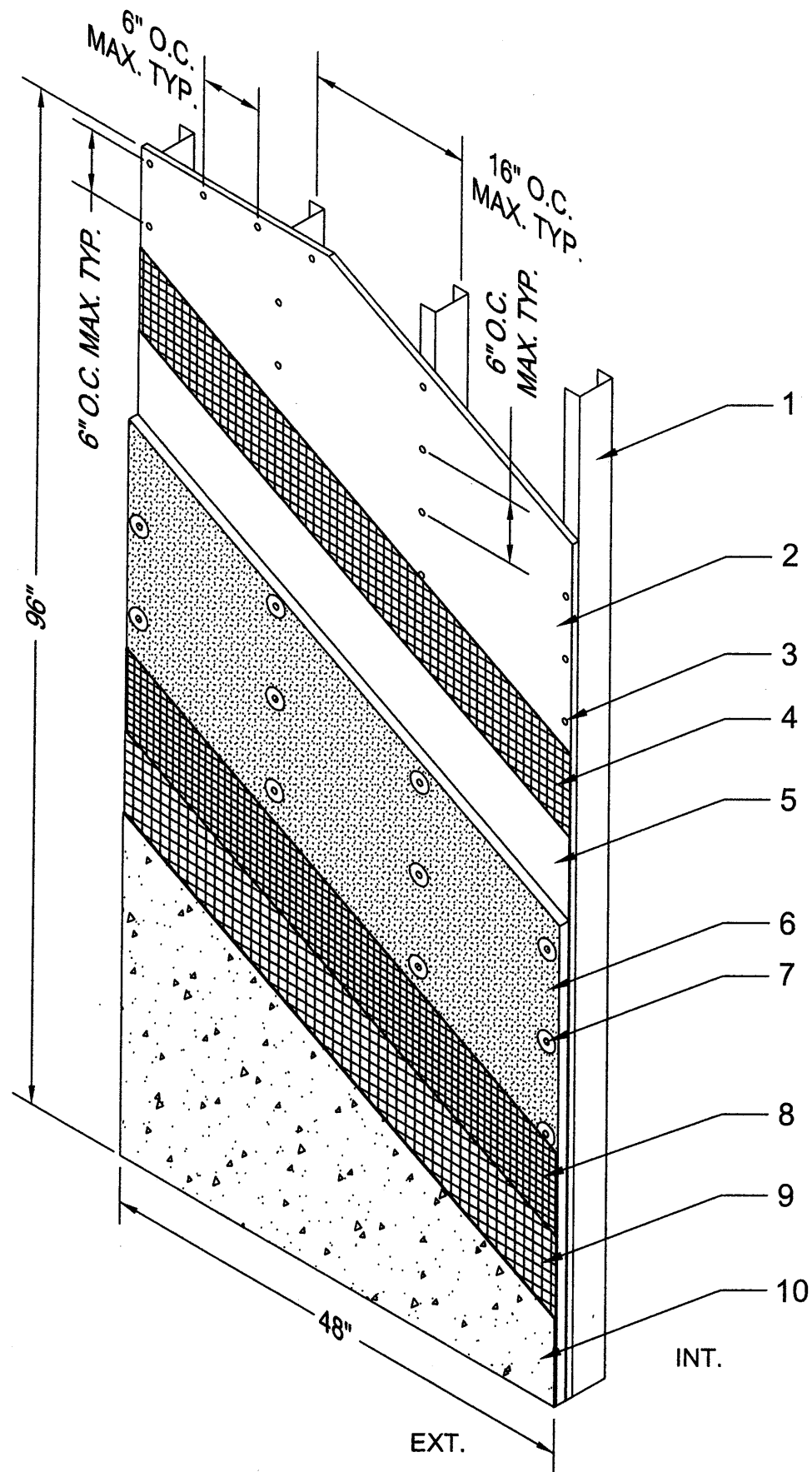
12/17/2012

---

Carlos M. Utrera, P.E.  
Product Control Examiner  
NOA No. 12-1019.25  
Expiration Date: December 27, 2017  
Approval Date: December 27, 2012

GENERAL NOTES

1. THIS SYSTEM IS AN EIFS TYPE CLADDING INTENDED FOR INSTALLATION OVER METAL FRAMING AS SHOWN HEREIN.
2. THIS SYSTEM HAS BEEN TESTED TO TAS 201-94, TAS 202-94, AND TAS 203-94 FOR AIR, WATER, STRUCTURAL, LARGE MISSILE IMPACT, AND CYCLIC, AND MEETS THE REQUIREMENTS OF THE FLORIDA BUILDING CODE, CURRENT EDITION, INCLUDING SUPPLEMENTS, INCLUDING FOR USE IN THE HIGH VELOCITY HURRICANE ZONE.
3. THE SYSTEM SHALL BE APPLIED BY A LICENSED PLASTERING CONTRACTOR, FOLLOWING THIS NOTICE OF ACCEPTANCE, THE RECOMMENDATIONS OF TOTAL WALL INC., AND THE APPLICABLE SECTIONS OF THE FLORIDA BUILDING CODE.
4. THE STRUCTURAL ADEQUACY AND SUITABILITY OF THE METAL FRAMING TO WHICH THE SYSTEM IS TO BE INSTALLED SHALL BE VERIFIED BY THE LICENSED ENGINEER AND/OR ARCHITECT OF RECORD FOR EACH PROJECT, TO ENSURE CONFORMANCE WITH STUD DEFLECTION, STRESS LIMITATIONS, APPROPRIATE ANCHORAGE OF THE FRAMING TO THE STRUCTURE, AND INTERIOR BRIDGING OR SHEATHING, AS REQUIRED BY ALL GOVERNING CODES AND THIS DOCUMENT.
5. THE STEEL STUDS USED WITH THIS SYSTEM SHALL BE MIN. 18 GA. STRUCTURAL, 1 5/8" MIN. FLANGE WIDTH x 3 5/8" MIN. DEPTH, WITH MIN. YIELD STRENGTH OF 33,000 PSI.
6. THIS SYSTEM SHALL NOT BE CONSIDERED TO RESIST DIAPHRAGM ACTION FROM THE STRUCTURE ON WHICH IT IS INSTALLED.
7. INSULATION BOARDS USED IN THIS SYSTEM SHALL BE POSITIONED IN A RUNNING BOND PATTERN.
8. DETAILS ON SHEETS 2 AND 3 OF THIS DOCUMENT ARE TYPICAL AND SHOW INTENT TO PREVENT WATER INFILTRATION INTO AND BEHIND THE SYSTEM. ALTERNATE DETAILS AND SPECIFIC CONDITIONS NOT COVERED BY THESE TYPICAL DETAILS ARE THE RESPONSIBILITY OF THE LICENSED DESIGN PROFESSIONAL(S) IN CONSULTATION WITH TOTAL WALL INC.
9. THE MAXIMUM DESIGN PRESSURE OF THIS SYSTEM IS + / - 60.0 P.S.F.



BILL OF MATERIALS

#	DESCRIPTION
1	3-5/8" x 1-5/8" x 18-GA. "C" STEEL STUDS @ 16" O.C. W/ 3-5/8" x 1-5/8" x 18-GA. STEEL "C" TRACK AT HEAD AND SILL
2	5/8" NATIONAL GYPSUM "eXP" EXTERIOR GRADE GYPSUM SHEATHING
3	#8 x 1-5/8" WAFER HEAD SHEET METAL SCREWS, GRADE 5 STEEL, TO ATTACH SHEATHING TO STUDS
4	TOTAL WALL 11-OUNCE FIBERGLASS REINFORCING MESH EMBEDDED IN 1/16" THICK TOTAL STOP RA. EDGES OF MESH LAPPED 2-1/2".
5	TYVEK STUCCOWRAP
6	1" EPS FOAM BOARD, 1 LB/FT <sup>3</sup> DENSITY, DYPLAST (ASTM C578, TYPE 1)
7	WIND-LOCK WIND DEVIL ST-2 TO ATTACH FOAM TO STUDS, CONSISTING OF 2" ROUND POLYPROPYLENE FASTENER PLATES WITH #6 x 2" CORROSION RESISTANT GRADE 5 STEEL FASTENERS, WITH 1/2" FASTENER PENETRATION INTO STEEL STUDS. AVERAGE FASTENER DENSITY OF 1 PER SQUARE FOOT.
8	TOTAL WALL 20-OUNCE FIBERGLASS REINFORCING MESH EMBEDDED IN 1/16" THICK T-2000 BASE COAT. EDGES OF MESH BUTTED.
9	TOTAL WALL 4.5-OUNCE FIBERGLASS REINFORCING MESH EMBEDDED IN 1/16" THICK T-2000 BASE COAT. EDGES OF MESH LAPPED 2-1/2".
10	TOTAL WALL SYNTHETIC TEXTURED FINISH COAT, 1/16" THICK

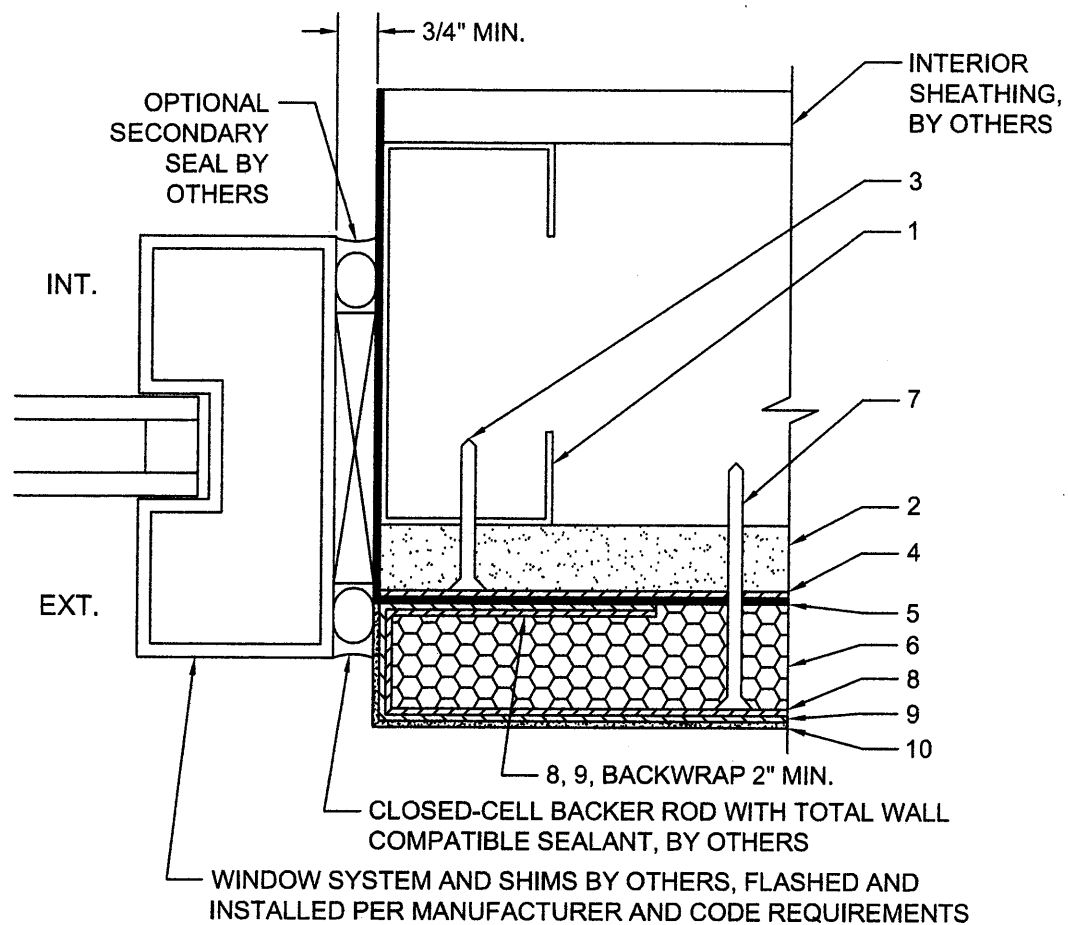
Approved as complying with the Florida Building Code  
 Date 12/27/2012  
 NOA# 12-1019.25  
 Miami Dept. Product Control

By *[Signature]*

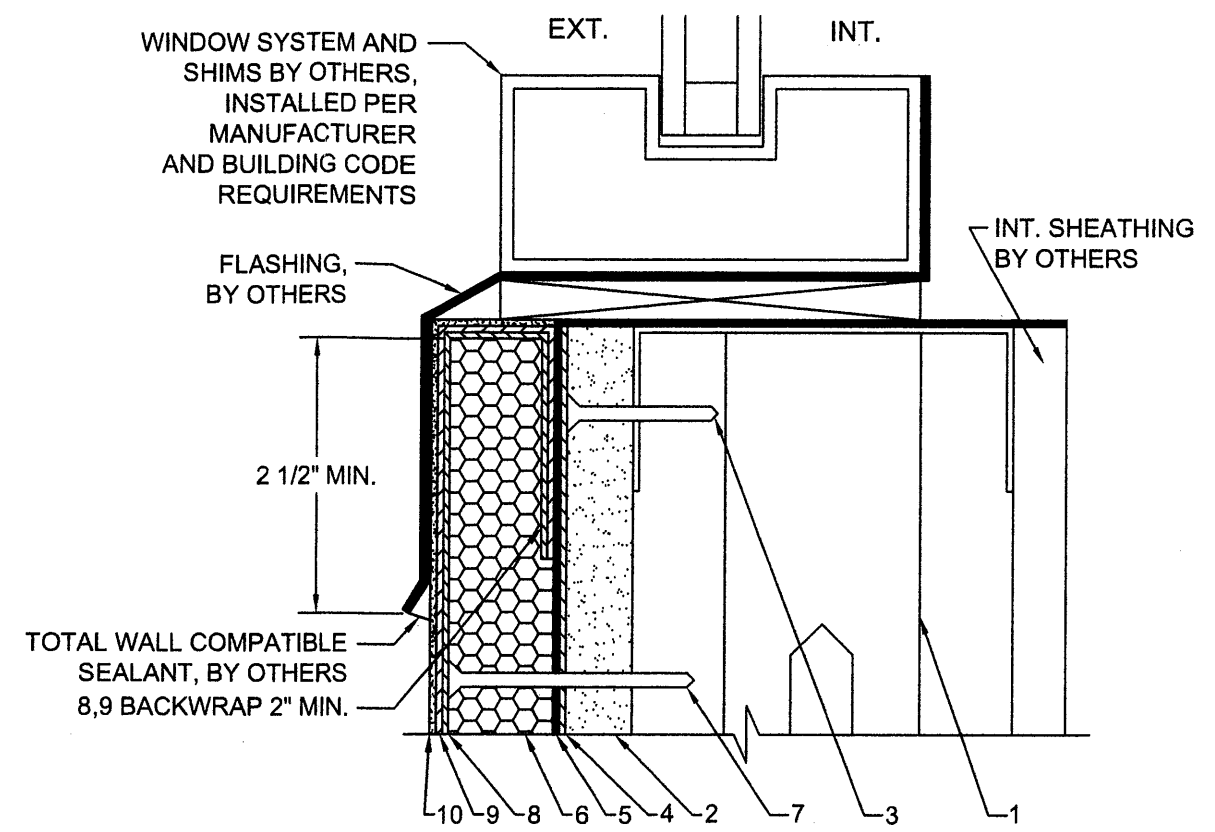
*[Signature]*  
 SCOTT WOLTERS  
 FLPE# 62354  
 WOLTERS ENGINEERING, INC.  
 (COA# 27194)  
 1271 GRANT STREET  
 HOLLYWOOD, FL 33019

JAN 12 2012

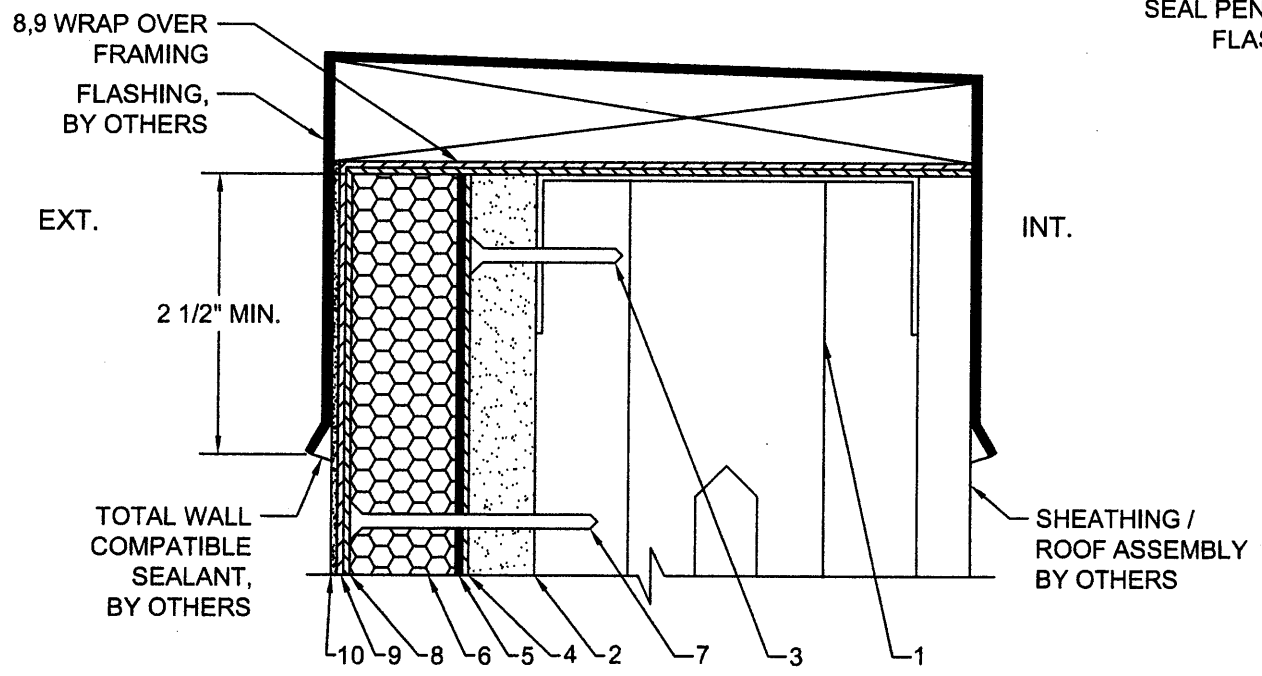
BY	LA		
DESCRIPTION	ORIGINAL RELEASE		
DATE	9/7/2011		
REV.	0		
Fastened Moisture Drainable System Large Missile Impact Resistant			
<b>Total Wall, Inc.</b> 390 Viking Circle Rio, WI 53960 PHONE: 888-702-9917			
DRAWING #	H591-0901-11-FA		
SCALE:	NTS		
SHEET 1 of 3			



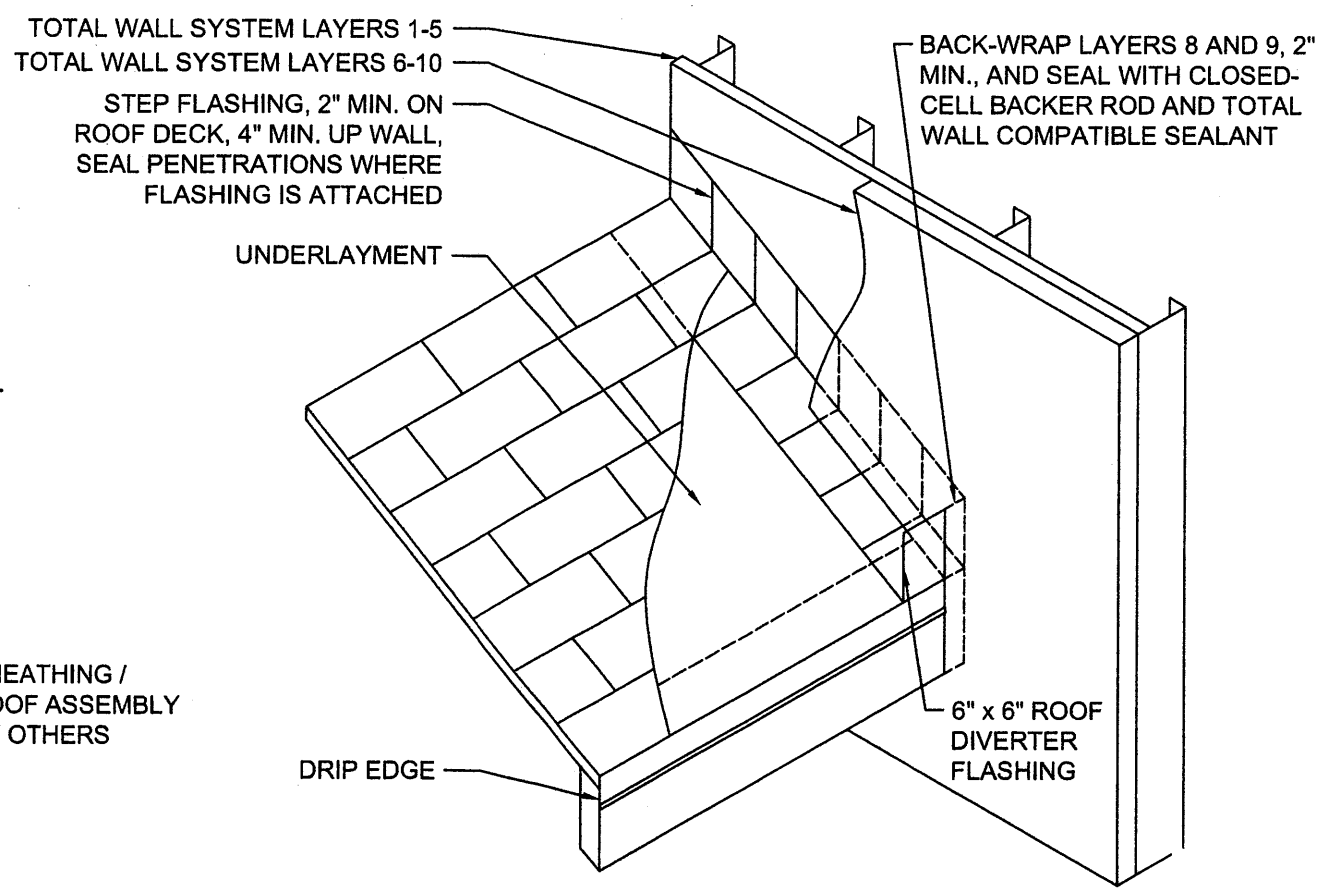
**WINDOW HEAD/JAMB DETAIL**



**WINDOW SILL DETAIL**



**PARAPET / CAP DETAIL**



**ROOF INTERSECTION DETAIL**

Approved as complying with the Florida Building Code  
 Date 12/27/2012  
 NOA# 12-1019.25  
 Miami Data Product Control  
 By *[Signature]*

*[Signature]*  
 SCOTT WOLTERS  
 FLPE# 62354  
 WOLTERS ENGINEERING, INC.  
 (COA# 27194)  
 1271 GRANT STREET  
 HOLLYWOOD, FL 33019

JAN 12 2012

REV.	DATE	DESCRIPTION	BY	LA
0	9/7/2011	ORIGINAL RELEASE		

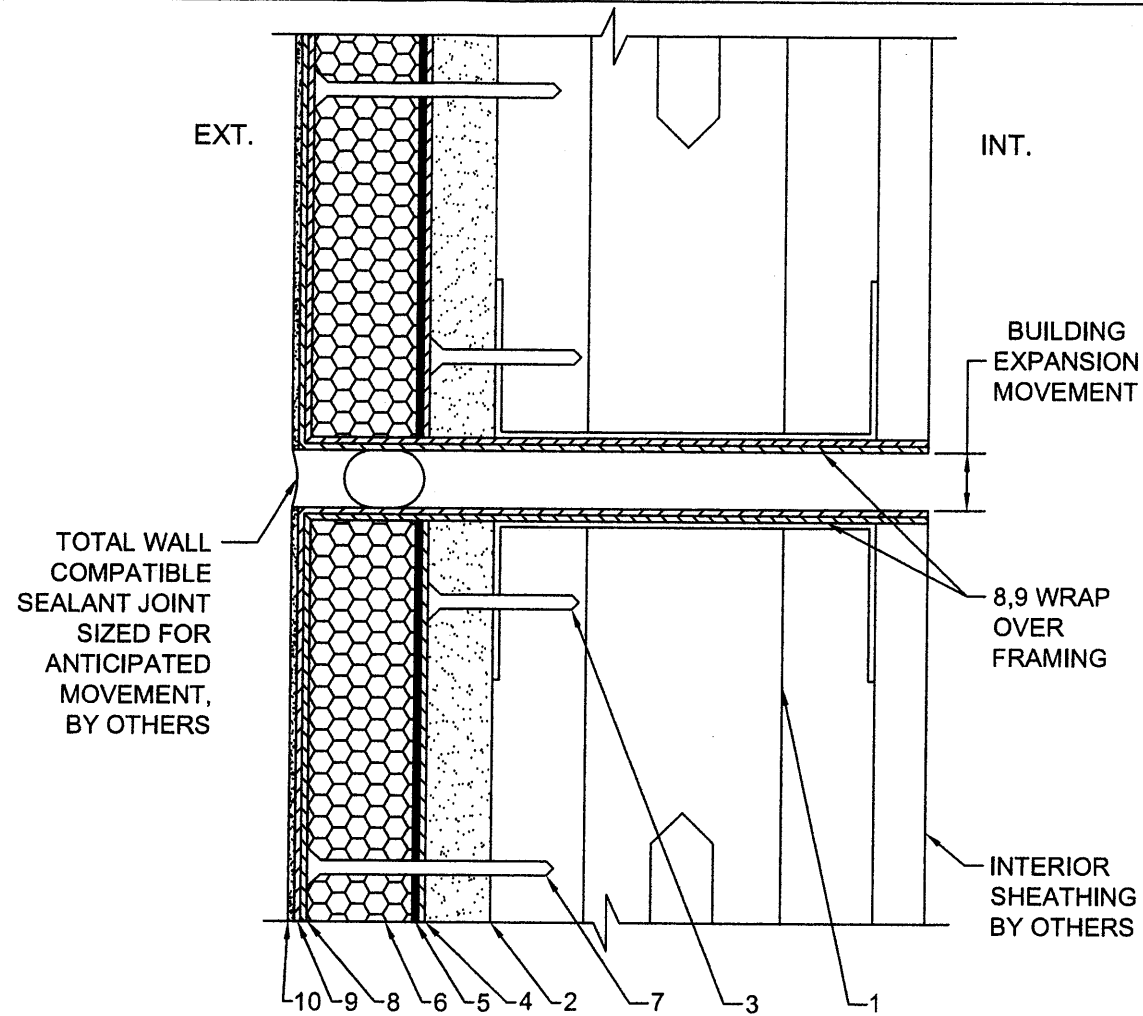
**Fastened Moisture  
 Drainable System  
 Large Missile Impact Resistant**

**Total Wall, Inc.**  
 390 Viking Circle  
 Rio, WI 53960  
 PHONE: 888-702-9917

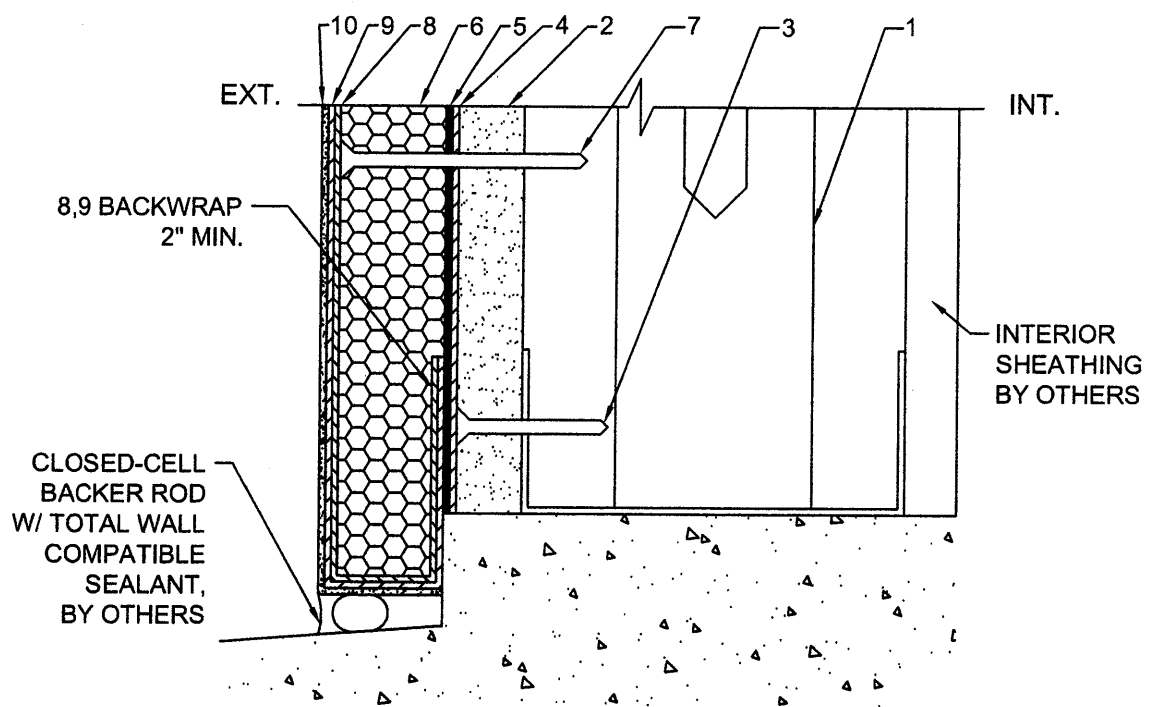
DRAWING # H591-0901-11-FA

SCALE: NTS

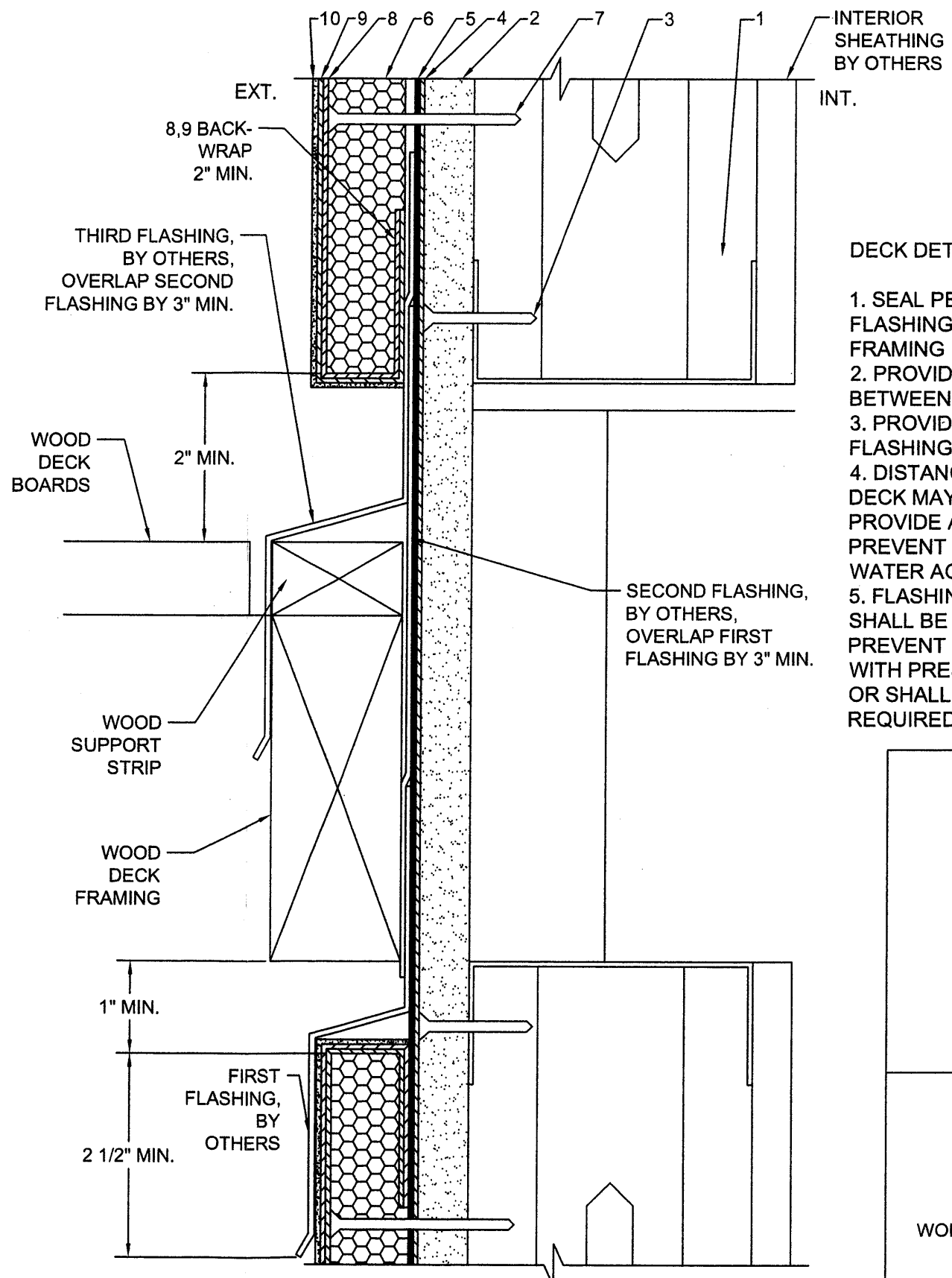
SHEET  
 2 of 3



**EXPANSION JOINT DETAIL**



**TERMINATION AT CONCRETE DETAIL**



**DECK DETAIL**

**DECK DETAIL NOTES**

1. SEAL PENETRATIONS THROUGH FLASHING WHERE ATTACHED TO FRAMING
2. PROVIDE FOR DRAINAGE BETWEEN WOOD AND FLASHING
3. PROVIDE END DAMS WHERE FLASHING TERMINATES.
4. DISTANCE BETWEEN EIFS AND DECK MAY VARY WITH CLIMATE, PROVIDE ADEQUATE DISTANCE TO PREVENT SNOW/ICE OR PUDDLING WATER AGAINST EIFS.
5. FLASHING AND ANCHORAGE SHALL BE OF MATERIALS TO PREVENT GALVANIC REACTIONS WITH PRESSURE TREATED DECK, OR SHALL BE PROTECTED AS REQUIRED IN THE FBC.

Approved as complying with the  
 Florida Building Code  
 Date 12/27/2012  
 NOA# 12-1019.25  
 Miami Dade Product Control

By *[Signature]*

*[Signature]*  
 SCOTT WOLTERS  
 FLPE# 62354  
 WOLTERS ENGINEERING, INC.  
 (COA# 27194)  
 1271 GRANT STREET  
 HOLLYWOOD, FL 33019  
 JAN 12 2012

REV.	DATE	DESCRIPTION	BY	LA
0	9/7/2011	ORIGINAL RELEASE		

**Fastened Moisture  
 Drainable System  
 Large Missile Impact Resistant**

**Total Wall, Inc.**  
 390 Viking Circle  
 Rio, WI 53960  
 PHONE: 888-702-9917

DRAWING #  
 H591-0901-11-FA

SCALE: NTS

SHEET  
 3 of 3